

Industrial Grade PMDC



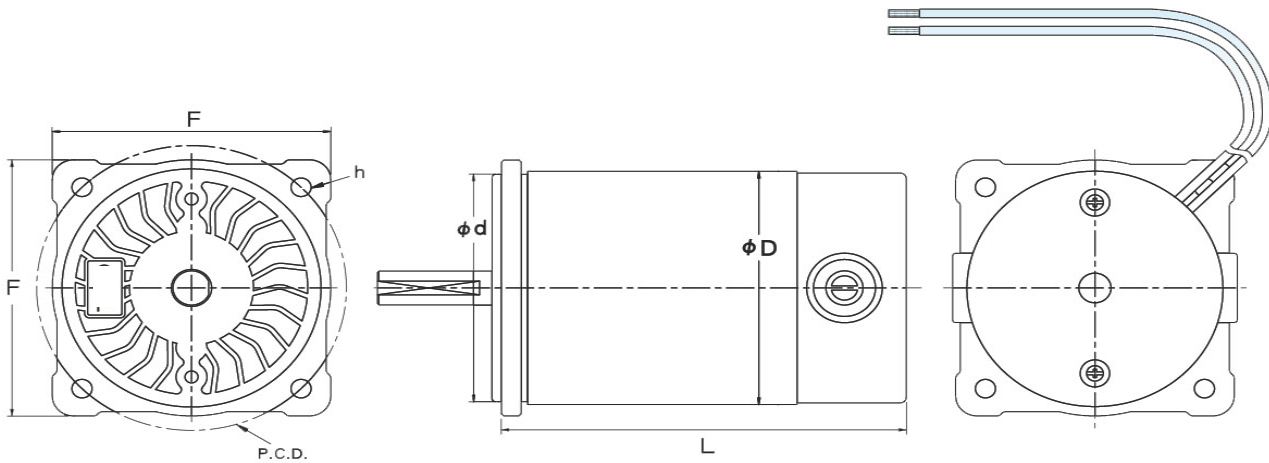
PI105



Specification

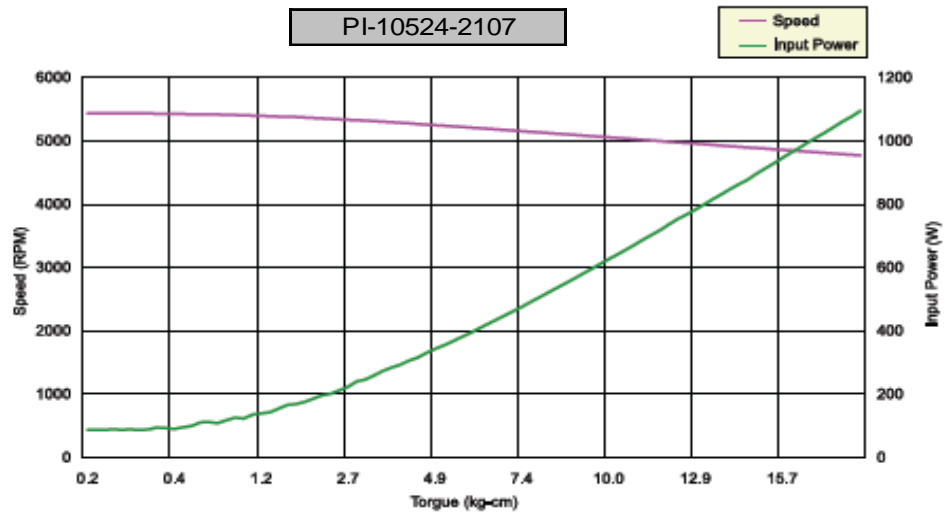
Model No.	Voltage	No-Load		Load			Max. Output
		Speed	Current	Torque	Speed	Current	Power
	V	RPM	A	mN.m	RPM	A	w
PI-10524-2107	24.5	5450	6.5	1275	5000	32	2107
PI-10524-2551	24.5	7150	8.1	834	6800	32	2551

Outline Drawing



Model	ϕD	L	ϕd	P.C.D.	h	F
01	105	166.2	77	120	9	115
02	105	166.2	77	120	9	115

Performance Curve



TELCO *Motion*[™]
POWERING YOUR DESIGN