

Industrial Grade PMDC



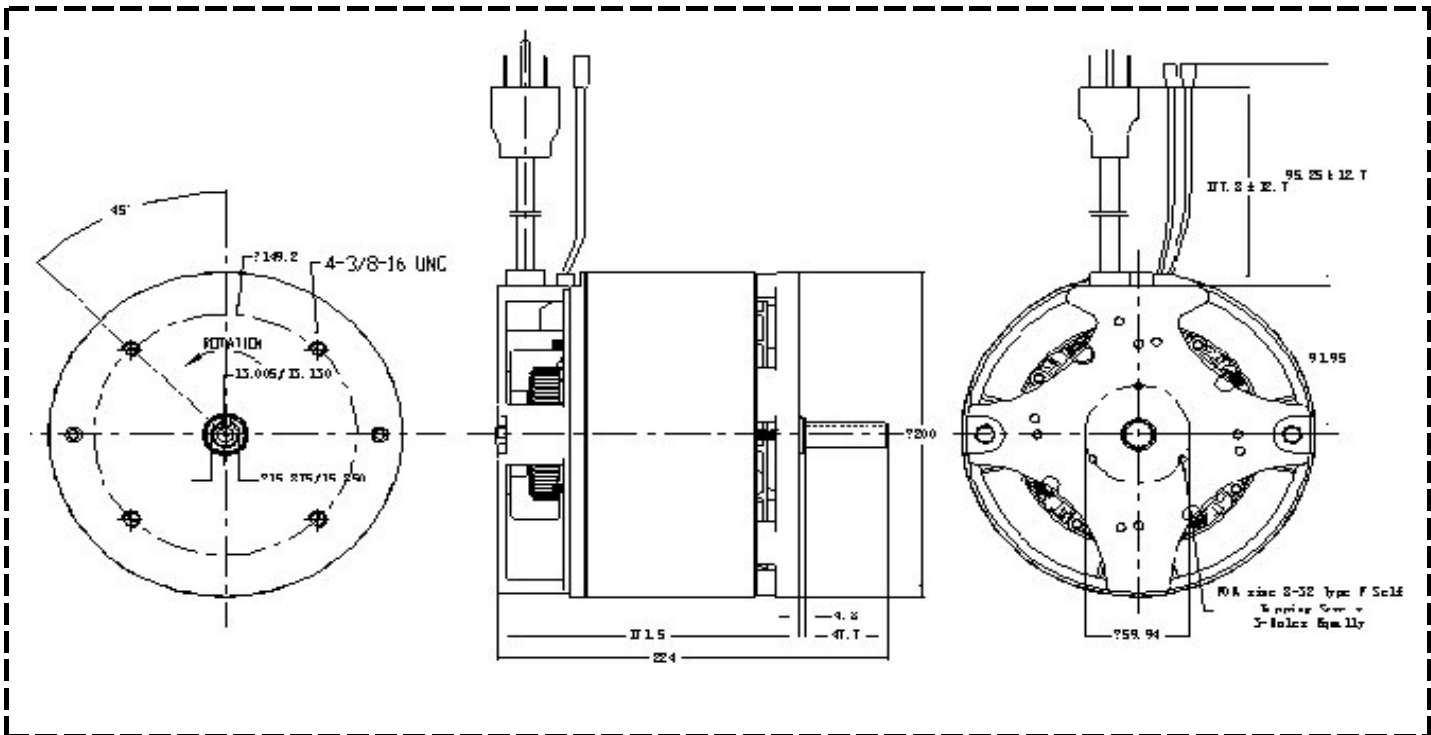
PI200



Specification

Model No.	Voltage	No-Load		Load			Max. Output
		Speed	Current	Torque	Speed	Current	Power
	V	RPM	A	mN.m	RPM	A	w
PI-200120-17	120	3600±200	≤4.0	2500	3200±150	≤15	17

Outline Drawing



Performance Curve

