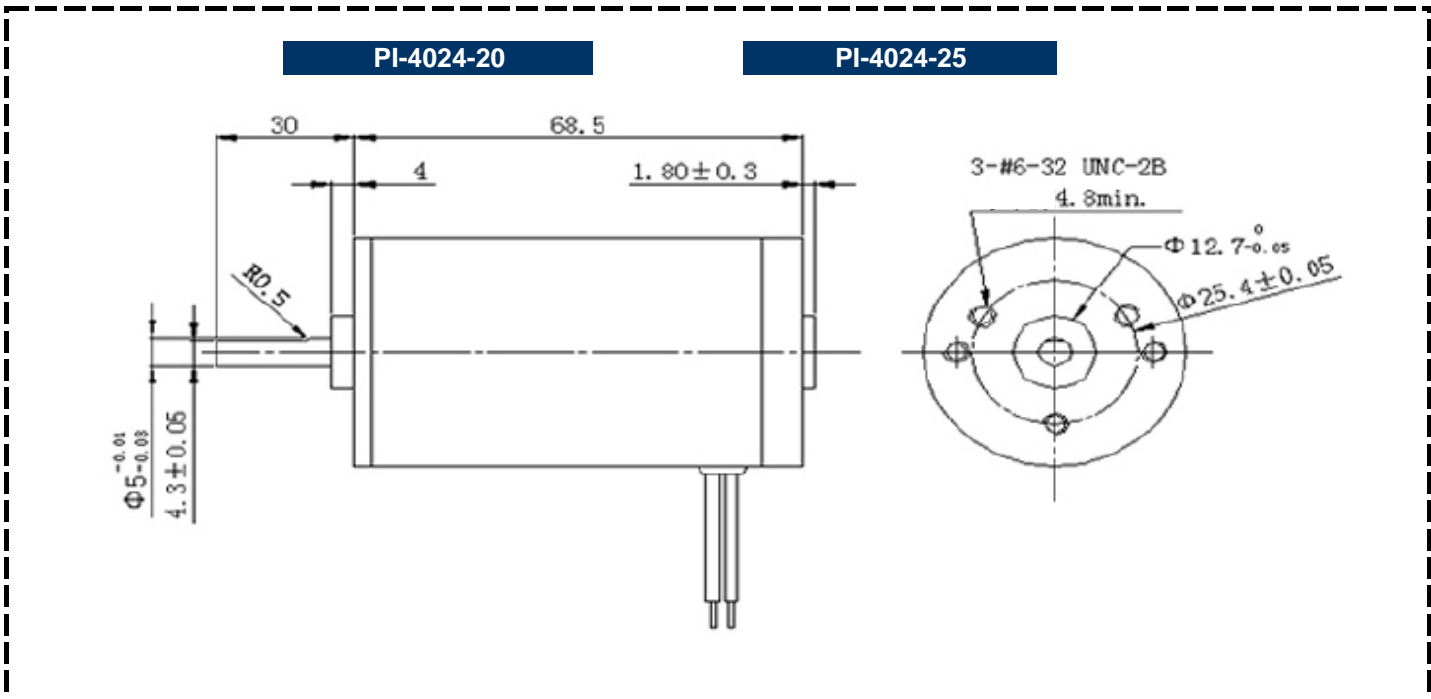




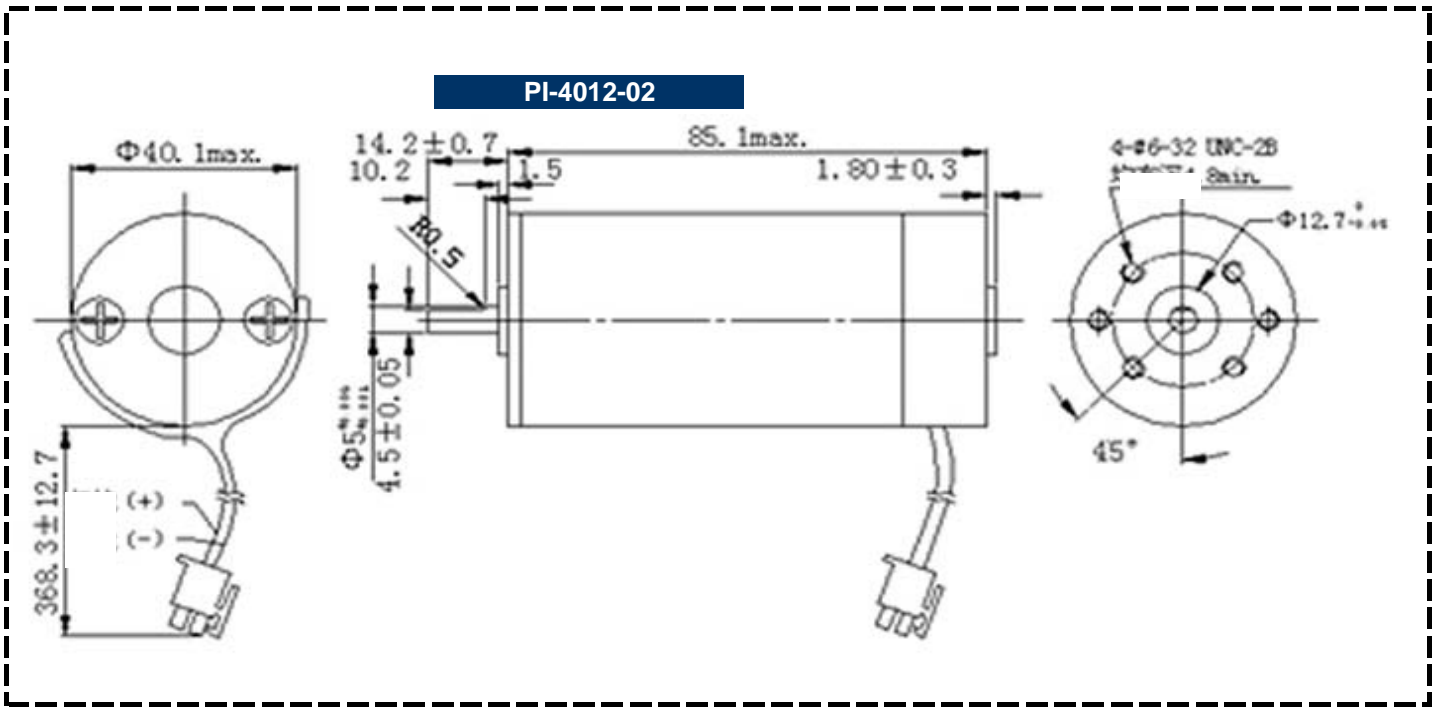
### Specification

Model No.	Voltage	No-Load		Load			Max. Output
		Speed	Current	Torque	Speed	Current	Power
	V	RPM	A	mN.m	RPM	A	w
PI-4024-20	24	5500±10%	0.35 Max	42	4600±5%	1.6 Max	20
PI-4024-25	24	6000±10%	0.7 Max	80	3000±5%	1.8 Max	25
PI-4012-02	12	3800±10%	0.28 Max	5.6	3100±5%	2.5Max	1.82

### Outline Drawing



**PI-4012-02**



**Performance Curve**

