

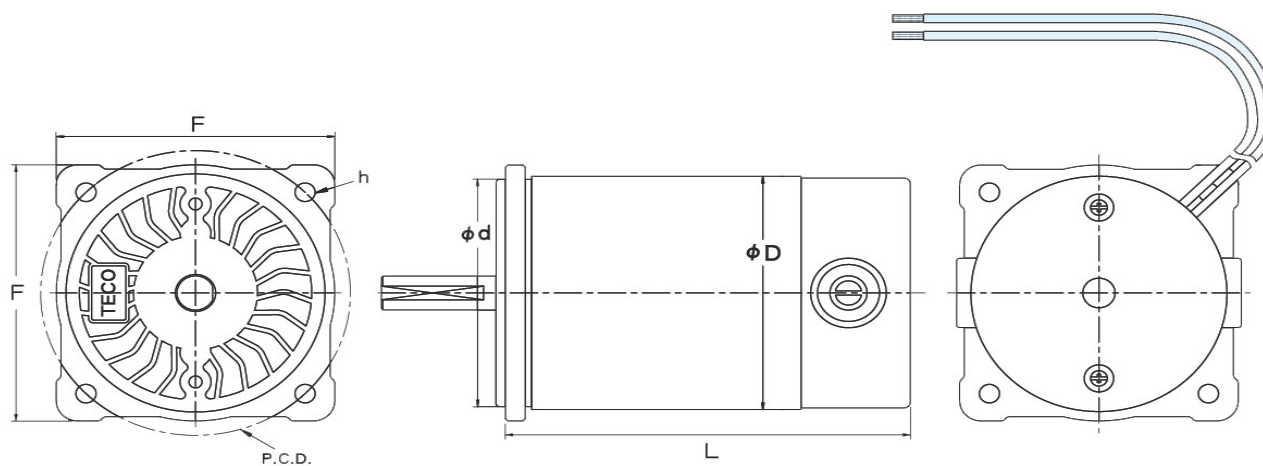


### Specification

Model No.	Voltage	No-Load		Load			Max. Output
		Speed	Current	Torque	Speed	Current	Power
	V	RPM	A	mN.m	RPM	A	w
PI-6324-472	24.5	4950	1.6	343	4350	8	472
PI-6312-30	12	2500	0.12	93	2100	2.56	30
PI-6324-30	24	2500	0.06	93	2100	1.28	30
PI-6396-30	96	2500	0.02	93	2100	0.34	30

### Outline Drawing

PI-6324-472



$\Phi D$	L	$\Phi d$	P.C.D.	h	F
63.5	117	35	77	7	

Performance Curve

