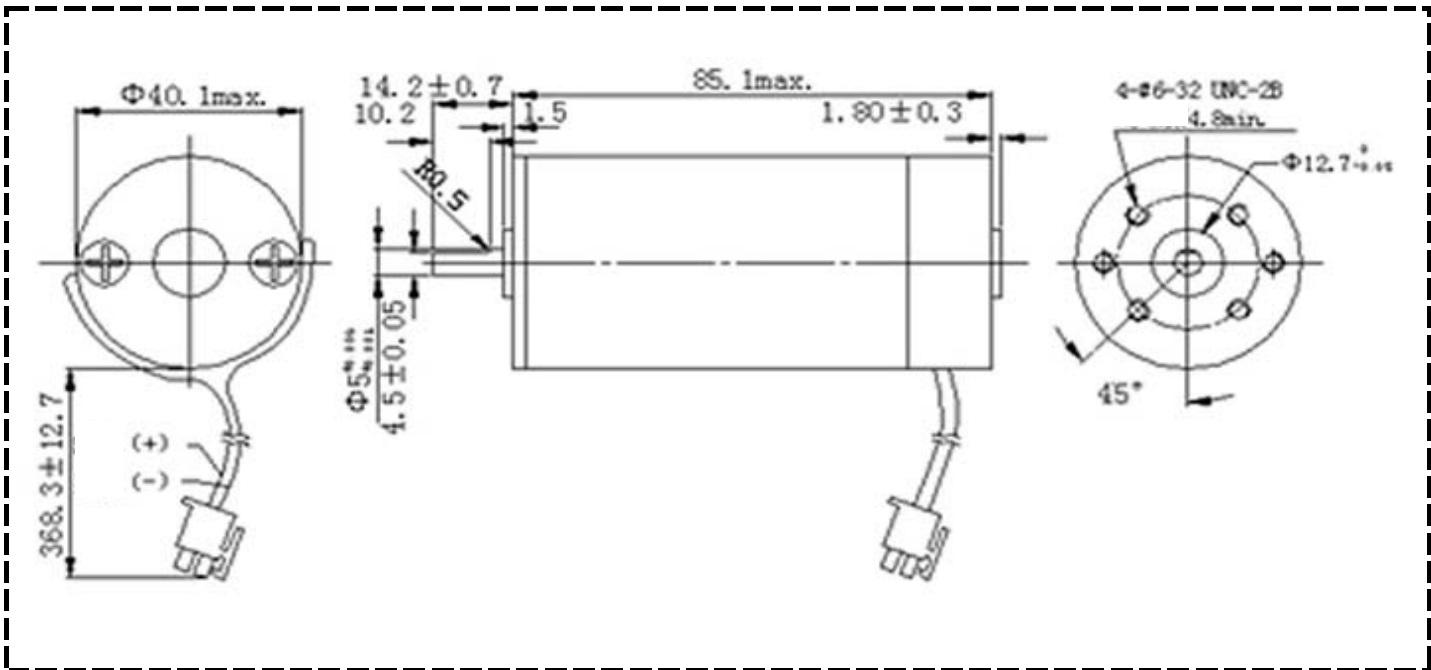




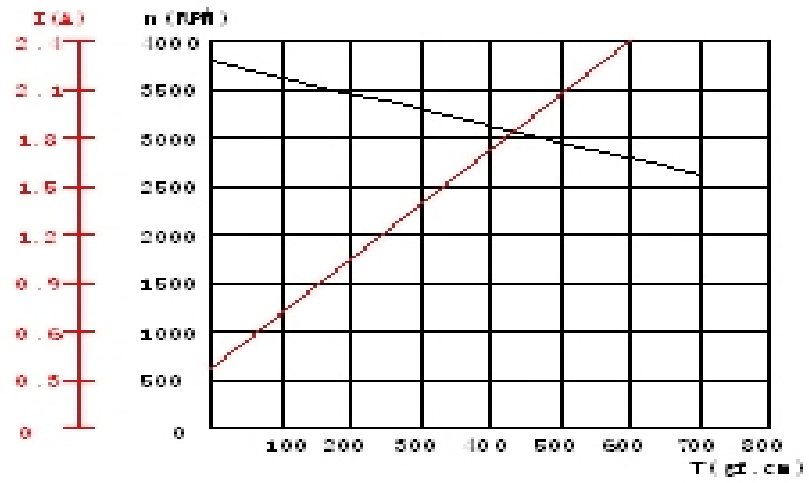
### Specification

Model No.	Voltage	No-Load		Load			Max. Output
		Speed	Current	Torque	Speed	Current	Power
	V	RPM	A	mN.m	RPM	A	w
PI-6524-22	24	1310±50	≤3.0	280	750±50	≤3.0	22
PI-6524-50	24	1840±50	≤3.0	500	950±50	≤9.5	50

### Outline Drawing



## Performance Curve



9812 Whithorn Dr., Houston, TX 77095, Phone: 281.855.2218, Fax: 281.859.8825, Email: [motors@telcointercon.com](mailto:motors@telcointercon.com)