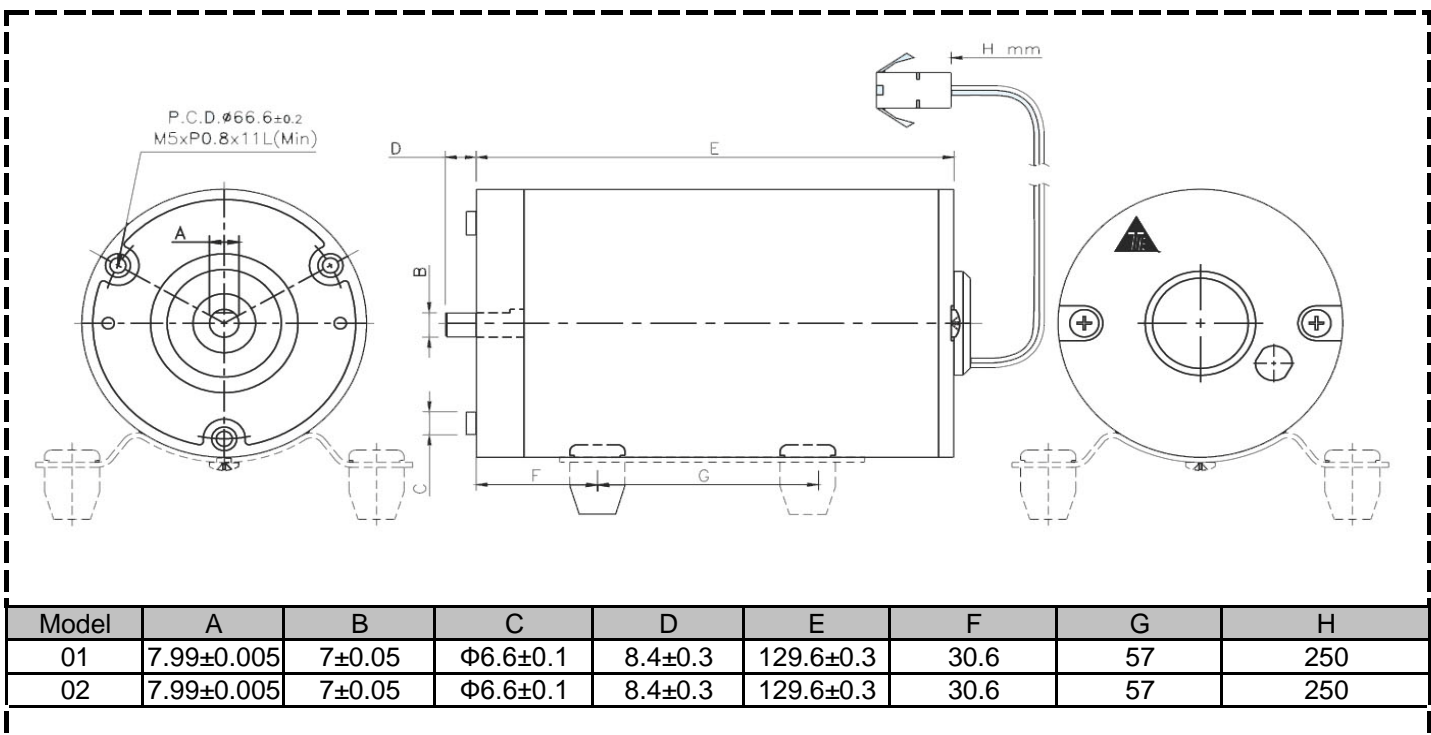




Specification

Model No.	Voltage	No-Load		Load			Max. Output
		Speed	Current	Torque	Speed	Current	Power
	V	RPM	A	mN.m	RPM	A	w
PI-7724-17	24	640	0.11 Max.	196	510	0.65	17
PI-7736-30	36	640	0.11Max	196	670	0.62	30

Outline Drawing



Performance Curve

PI-7724-17

