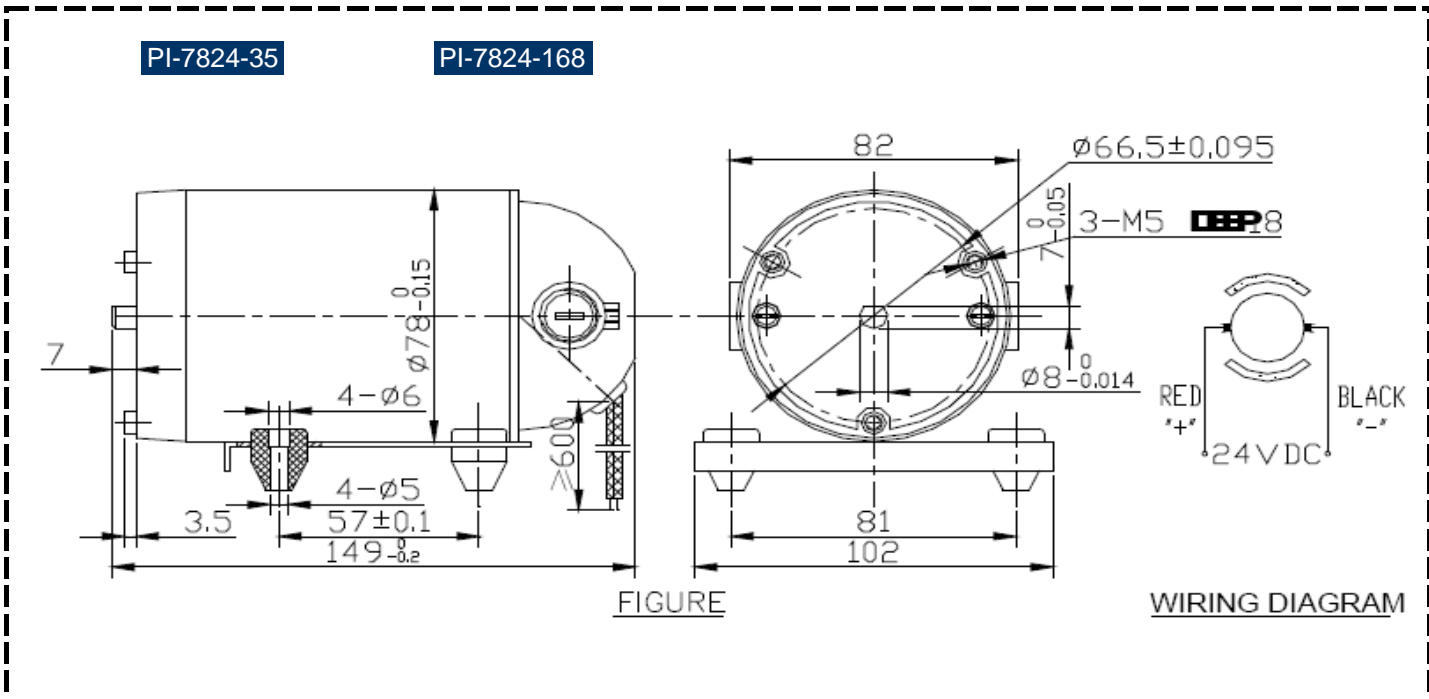




### Specification

Model No.	Voltage	No-Load		Load			Max. Output
		Speed	Current	Torque	Speed	Current	Power
	V	RPM	A	mN.m	RPM	A	w
PI-7824-35	24			600	550	0.11	35
PI-7824-168	24			400	4000	0.11	168
PI-78120-145	120	5700±350	≤0.7	300	4600±150	0.3	145

### Outline Drawing



PI-78120-145

