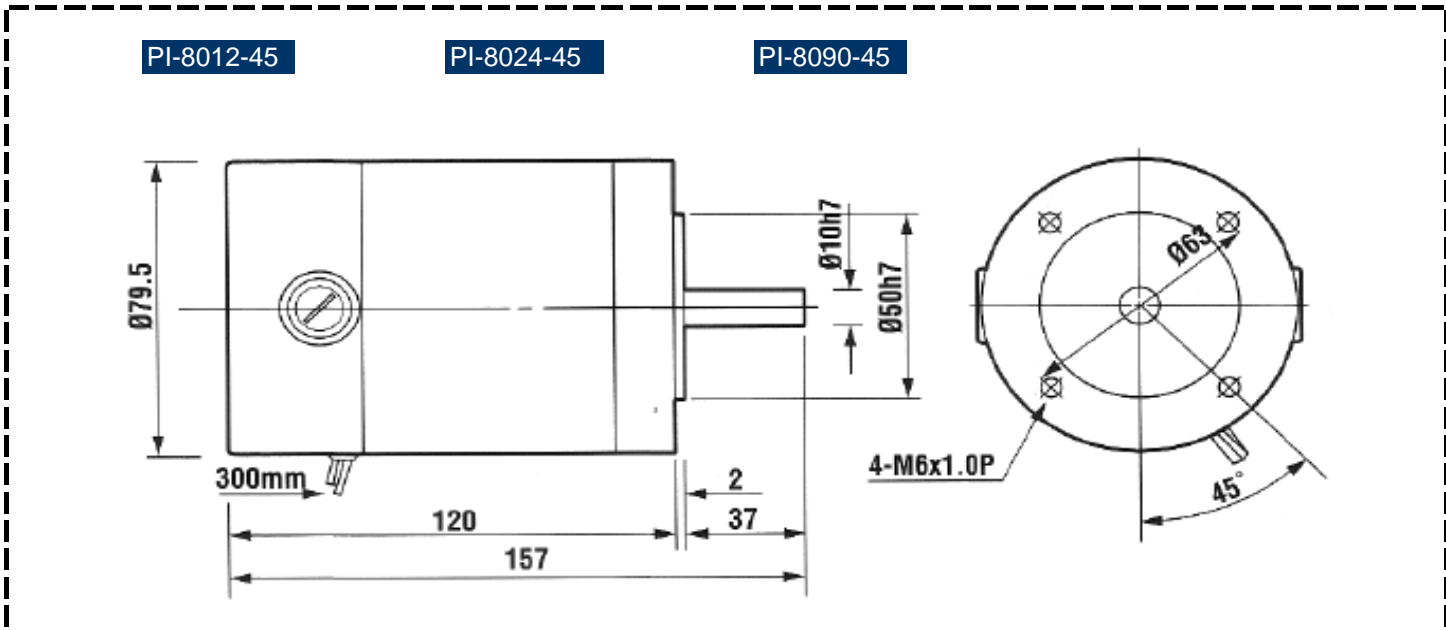




Specification

Model No.	Voltage	No-Load		Load			Max. Output Power
		Speed	Current	Torque	Speed	Current	
	V	RPM	A	mN.m	RPM	A	w
PI-8012-45	12	2000	0.70	167	1750	3.40	45
PI-8024-45	24	2000	0.35	167	1750	1.70	45
PI-8090-45	90	2000	0.09	167	1750	0.46	45
PI-8012-80	12	3200	0.80	186	2900	6.40	80
PI-8024-80	24	3200	0.40	186	2900	3.20	80
PI-8090-80	90	3200	0.11	186	2900	0.85	80
PI-8012-85	12	2000	0.70	343	1750	6.60	85
PI-8024-85	24	2000	0.35	343	1750	3.30	85
PI-8090-85	90	2000	0.10	343	1750	0.88	85
PI-80180-85	180	2000	0.05	343	1750	0.44	85
PI-8012-150	12	3200	1.90	343	2900	10.60	150
PI-8024-150	24	3200	0.80	343	2900	5.30	150
PI-8090-150	90	3200	0.22	343	2900	1.40	150
PI-80180-150	180	3200	0.11	343	2900	0.70	150

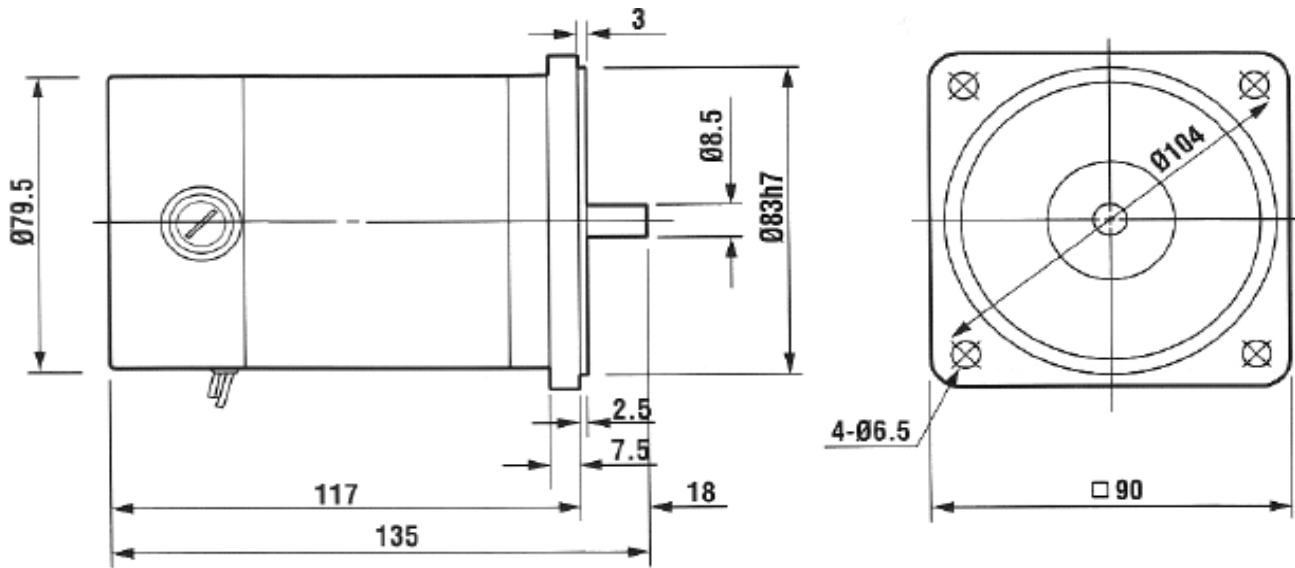
Outline Drawing



PI-8012-80

PI-8024-80

PI-8090-80

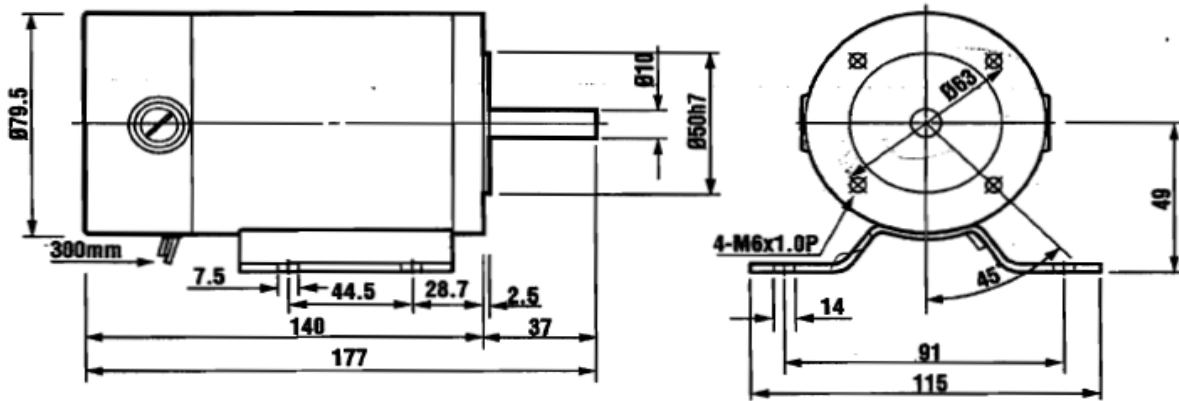


PI-8012-85

PI-8024-85

PI-8090-85

PI-80180-85

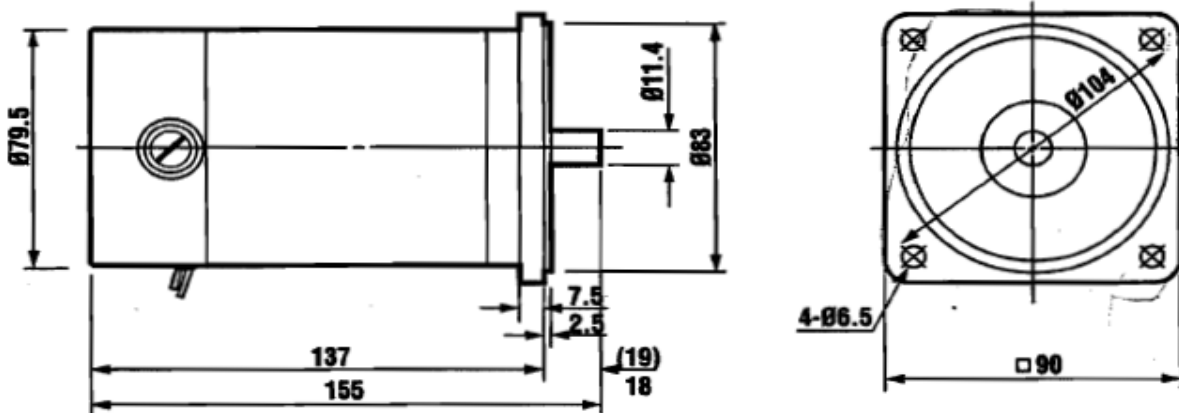


PI-8012-150

PI-8024-150

PI-8090-150

PI-80180-150

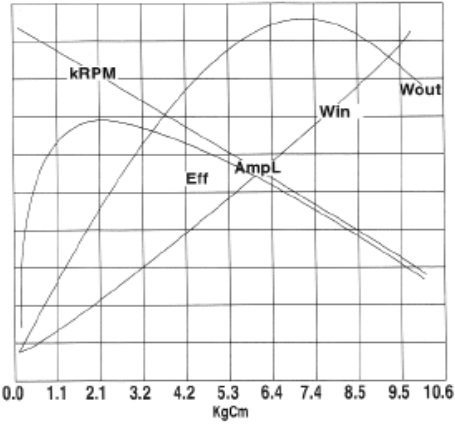


DM-5250-SGN
 () Size of GU Type Shaft

Performance Curve

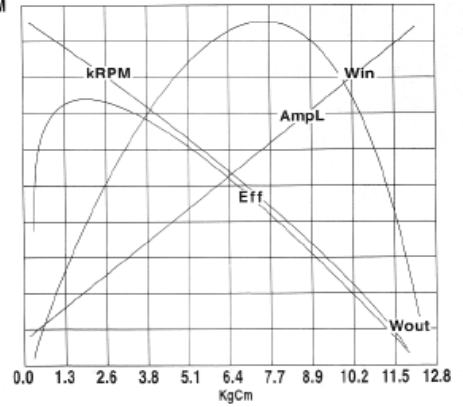
PI-8012-45 PI-8024-45 PI-8090-45

Wout	Win	Ampl	Eff	kRPM
71	218	8.06	0.9	1.9
63	194	7.16	0.8	1.7
55	169	6.27	0.7	1.5
47	145	5.37	0.6	1.3
39	121	4.48	0.5	1.0
32	97	3.58	0.4	0.8
24	73	2.69	0.3	0.6
16	48	1.79	0.2	0.4
8	24	0.90	0.1	0.2
0	0	0.00	0.0	0.0



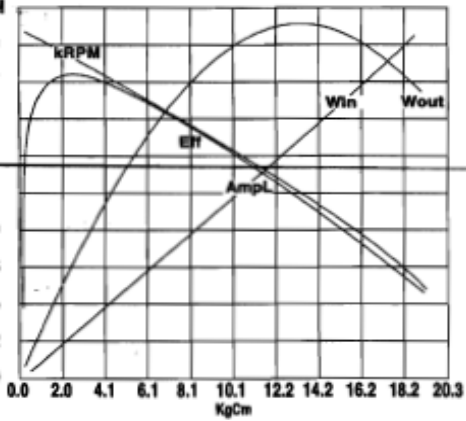
PI-8012-80 PI-8024-80 PI-8090-80

Wout	Win	Ampl	Eff	kRPM
125	440	18	0.9	3.1
111	391	16	0.8	2.7
97	342	14	0.7	2.4
83	293	12	0.6	2.0
69	245	10	0.5	1.7
55	196	8	0.4	1.4
42	147	6	0.3	1.0
28	98	4	0.2	0.7
14	49	2	0.1	0.3
0	0	0	0.0	0.0



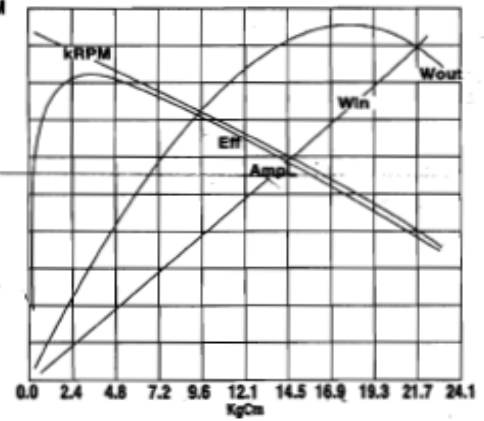
PI-8012-85 PI-8024-85 PI-8090-85 PI-80180-85

Wout	Win	Ampl	Eff	kRPM
138	413	16	0.9	1.9
123	367	15	0.8	1.7
108	321	13	0.7	1.5
92	275	11	0.6	1.3
77	229	9	0.5	1.1
61	184	7	0.4	0.9
46	138	5	0.3	0.6
31	92	4	0.2	0.4
15	46	2	0.1	0.2
0	0	0	0.0	0.0



PI-8012-150 PI-8024-150 PI-8090-150 PI-80180-150

Wout	Win	Ampl	Eff	kRPM
302	808	32	0.9	3.0
269	718	29	0.8	2.7
235	628	25	0.7	2.4
201	539	22	0.6	2.0
168	449	18	0.5	1.7
134	359	14	0.4	1.3
101	269	11	0.3	1.0
67	180	7	0.2	0.7
34	90	4	0.1	0.3
0	0	0	0.0	0.0



TELCO Motion™
POWERING YOUR DESIGN