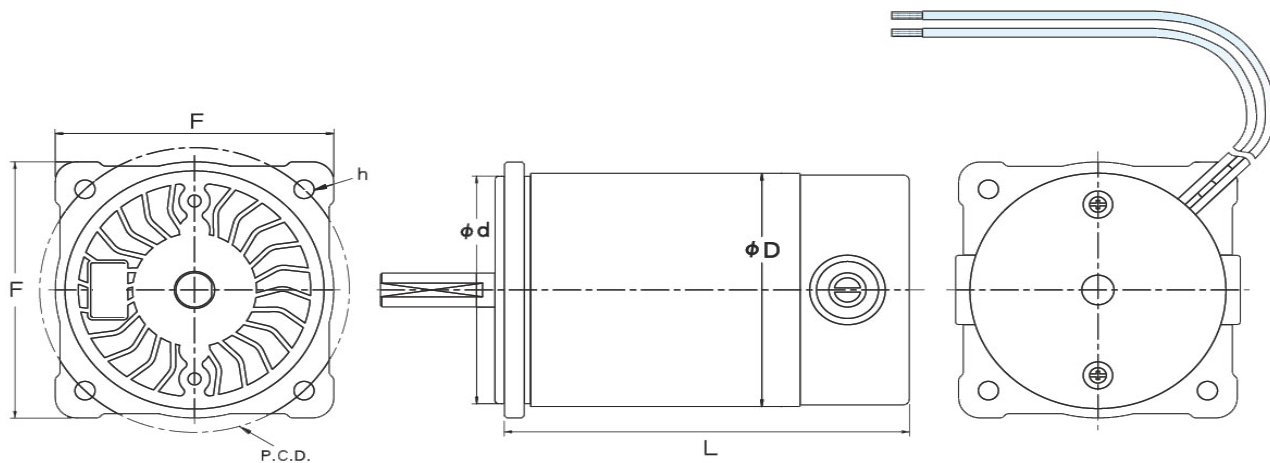




Specification

Model No.	Voltage	No-Load		Load			Max. Output
		Speed	Current	Torque	Speed	Current	Power
	V	RPM	A	mN.m	RPM	A	w
PI-8224-585	24	4450	3	490	3900	10.5	585
PI-8224-661	24.5	4700	3.1	490	4200	10.5	661
PI-8224-863	24.5	4200	3.1	785	3800	15	863
PI-8224-1016	24.5	4600	4	735	4200	15	1016
PI-8224-854	24	5100	4	785	4550	19	854
PI-8224-817	24.5	3750	3.5	883	3300	15.5	817
PI-8224-1348	24.5	5850	5.5	883	5300	23	1348

Outline Drawing



Model	ΦD	L	Φd	P.C.D.	h	F
01	80	130.8	83	103	6.5	90
02	82	130	77	100	9	90
03	82	155	77	100	9	90
04	82	155	77	100	9	90
05	82	155	77	70.5	9	90
06	82	180	77	100	9	90
07	82	180	77	100	9	90

Performance Curve

