

SB Series AC Servo Motor



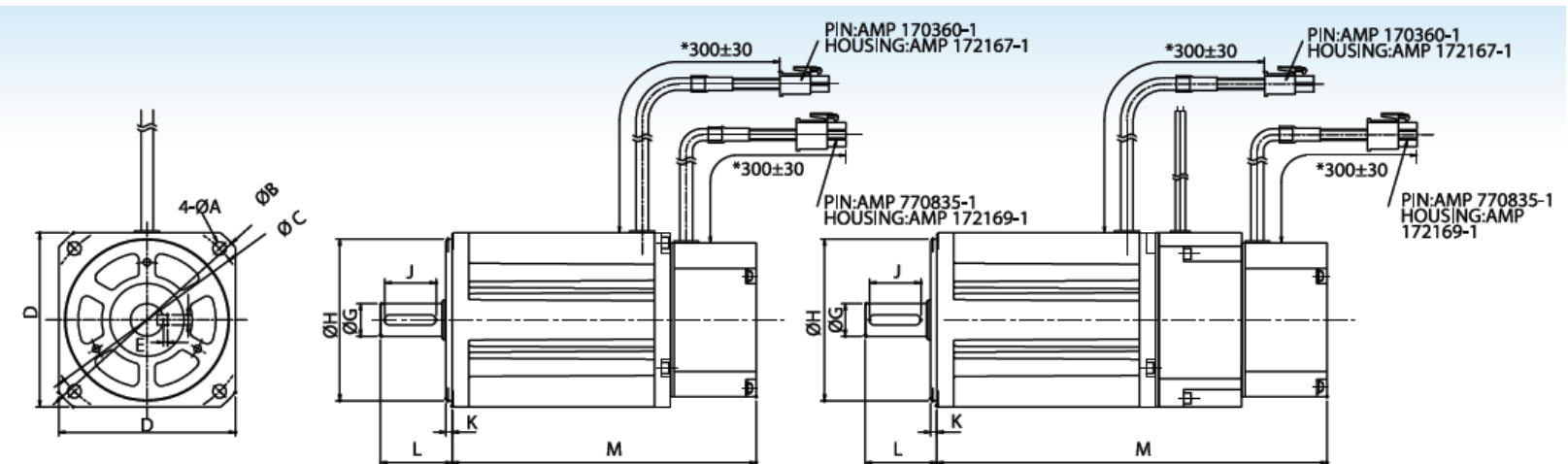
Specifications

SB Series AC Servo Motor, Frame Size 86 mm

Item	Unit	VA867530SB
Rated Output	W	750
Amplifier Type		TSTA20C
Rated terminal voltage	V	149.4
Rated Torque	N m	2.391
Rated Current	A	3.4
Rated Speed	rpm	3000
Peak Torque	N m	7.164
Peak Current	A	10.2
Torque Constant	N m/A	0.776
Voltage Constant	V/K rpm	81.4
Inertia (GD ² /4)	Kg cm	2.449
Resistance	Ω	3.27
Inductance	mH	10.2
Mechanical Time Constant	ms	1.032
Electrical Time Constant	ms	3.12
Weight (standard)	Kg	3.41
Speed Detector	Optical Encoder(INC: 2000P/R, ABS: 2048P/R)	
Time	Continuous	
Insulation class	F (155°C)	
Insulation Voltage	AC 1500V at 1 minute	
Insulation resistance	DC 500V Above 10 MΩ	
Structure	Fully closed	
Shockproofness	Below 2.5G	
Altitude	Under 1000m	
Temperature Humidity	Temperature: 0~40, Humidity: Below 90%RH (No Frosting)	
Temp. Humidity for storage	Temperature: -20 ~60, Humidity: Below 90%RH (No Frosting)	
Color	N 1.5	
Fixing Mode	Flange	



Outline Drawing



	Motor Type	A	B	C	D	E	F	G	H	J	K	L	M
With Brake	VA867530SB	Φ6.5	Φ112	Φ100	86	2	5	Φ16	Φ80	25	3	35	190
No Brake	VA867530SB	Φ6.5	Φ112	Φ100	86	2	5	Φ16	Φ80	25	3	35	148

Performance Curve

VA867530SB

