

Custom AC Motor, PSC 87, 3.42"

TelcoMotion's Custom AC motor are designed to be your best motor for efficient and low noise applications. Frame size of 3.11", 3.42", and, 3.86" are available, and the Max output power can be achieved is 1/4HP. Telco's Custom AC motors are UL listed with various output power options available to best meet your needs. We are also proudly to provide one – stop solution to make your purchase even easier. And plus, with the strong R&D support, we welcome customization on motors as well as accessories.



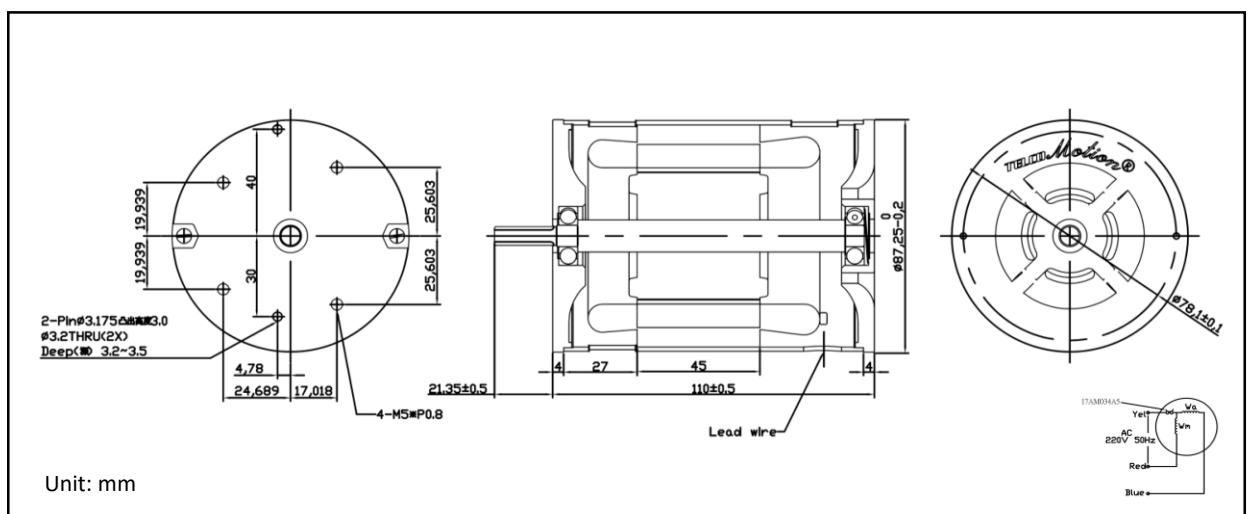
Application:

- Office equipment/business machines, Heating and cooling equipment, Medical equipment, Electric actuators, Pumps and valves

Specifications:

| Part Numbers | Number of Poles | Frame Size (Inch) | Voltage (VAC) | Frequency (Hz) | Rated | | | | | Capacitor |
|--------------|-----------------|-------------------|---------------|----------------|-------------|-------------|----------------|---------------------|-------------------|-------------|
| | | | | | Current (A) | Speed (RPM) | Torque (oz-in) | Output Power (Watt) | Output Power (HP) | |
| PSC87-16-030 | 4 | 3.42 | 115 | 60 | 1.9 | 1733 | 23.3 | 30 | 1/25 | 14µf/220VAC |
| PSC87-16-037 | 4 | 3.42 | 115 | 60 | 1.9 | 1720 | 28 | 37 | 1/20 | 14µf/220VAC |
| PSC87-16-050 | 4 | 3.42 | 115 | 60 | 0.8 | 1660 | 40.7 | 50 | 1/15 | 10µf/250VAC |
| PSC87-16-075 | 4 | 3.42 | 115 | 60 | 1.3 | 1600 | 63.3 | 75 | 1/10 | 14µf/250VAC |
| PSC87-35-030 | 4 | 3.42 | 220 | 50 | 0.5 | 1423 | 28.6 | 30 | 1/25 | 3µf/440VAC |
| PSC87-35-037 | 4 | 3.42 | 220 | 50 | 0.6 | 1500 | 33.6 | 37 | 1/20 | 3µf/440VAC |

Mechanical Drawing:



Telco Intercontinental Corp.

9812 Whithorn Drive
 Houston, TX 77095
 www.telcointercon.com

sales@telcointercon.com
 (281) 855-2218



A division of **TELCO**