

Micro BLDC Motor

28mm

Frame Size	28 mm
Efficiency	60 ~ 80%
Max. Rated Speed	4780 RPM
Max. Rated Torque	18 mNm / 2.55 oz-in
Max. Rated Output Power	9.01 W
Noise Level	<55 dB
Operating Temperature	- 10 ~ 40 °C
Weight	75g
Options	Gearbox, integrated driver



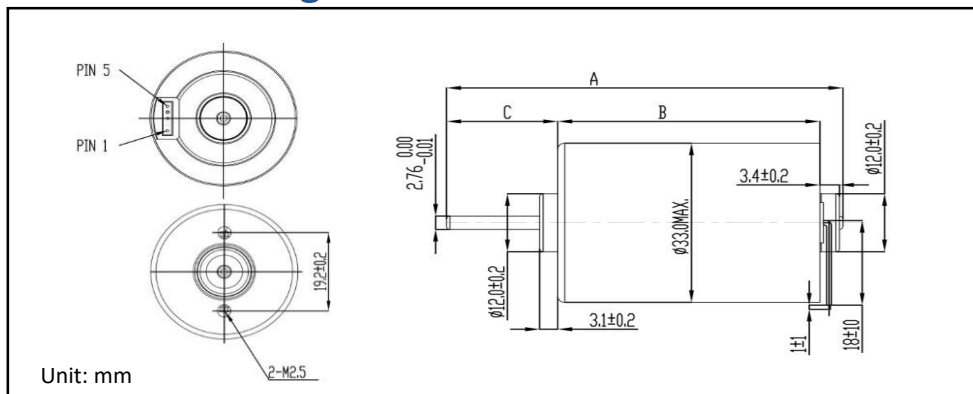
Application:

- Electric toothbrush, electric shaver, hair clipper, noodle maker, audio and visual equipment

Specifications:

Part Number	Motor Body Length (mm)	Rated		No Load		Rated			Starting	
		Voltage (VDC)	Speed (RPM)	Current (A)	Current (A)	Speed (RPM)	Torque (oz-in)	Output power (W)	Current (A)	Torque (oz-in)
		DM2838-12-004-03	38	12	4480	0.11	0.57	3210	1.7	4.04
DM2838-24-009-04	38	24	6660	0.08	0.57	4780	2.55	9.01	63.65	9.01

Mechanical Drawing:



DM2838-XX-XXX-XX	
A	57
B	37
C	16

Telco Intercontinental Corp.

9812 Whithorn Drive
Houston, TX 77095
www.telcointercon.com

sales@telcointercon.com
(281) 855-2218

TELCO
MOTION

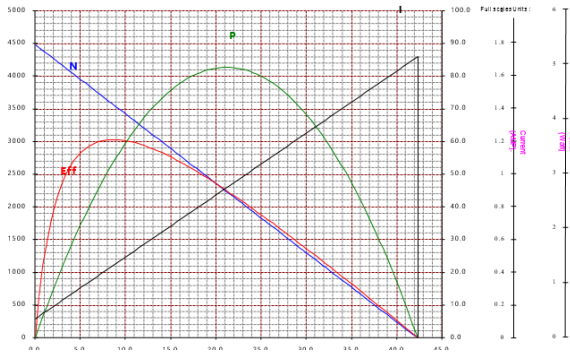
A division of **TELCO**

Micro BLDC Motor

28mm

Performance Curves:

DM2838-12-004-03



DM2838-24-009-04

