

# Standard AC Motor

## NEMA 42

### Features

Frame Size	NEMA 42
Motor Type	PSC (Permanent Split Capacitor)
Voltage	115VAC, 227VAC
Max. Output Power	1/6 HP (120W)
Max. Speed	1725 RPM
Number of Poles	4, 6
Number of Speeds	4
Number of Phase	1
Rotation	CW/CCW
Bearing Type	Sleeve Bearings
Insulation Class	B (130° C)
Enclosure	OPEN (Open Air-Over)
Options	Gearboxes

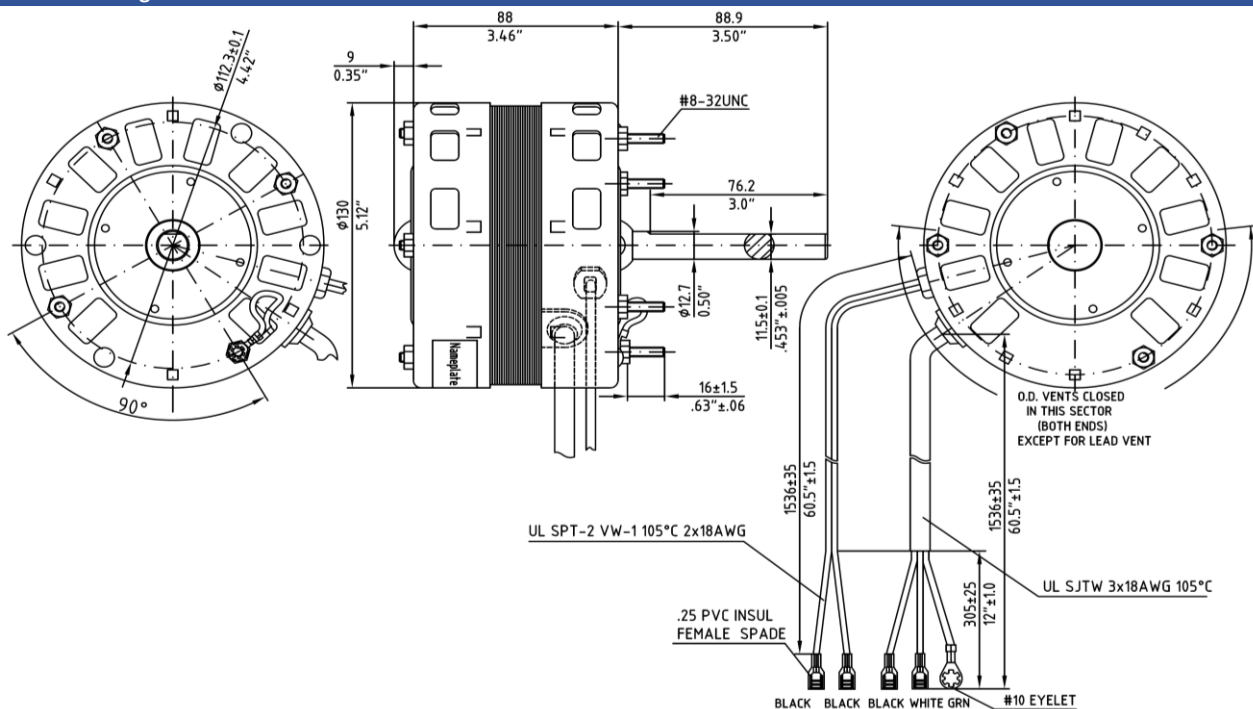


### Specifications

Part Numbers	Motor Type	Output Power (HP)	Voltage, Frequency (V, Hz)	Speed (RPM)	Current (A)	Number of Poles	Number of Speeds	Rotation	Capacitor	Shaft Dimension (Inch)	Enclosure	Bearing Type	Insulation Class
AN42035-16-6B	PSC	1/20HP	115V, 60Hz	1725	1.0	6	4	CW/CCW	5 MFD 370VAC	1/2 x 10*	OPEN	Sleeve	B
AN42050-16-6B	PSC	1/15HP	115V, 60Hz	1050	1.2	6	4	CW/CCW	5 MFD 370VAC	1/2 x 10-1/2*	OPEN	Sleeve	B
AN42075-26-6B	PSC	1/10HP	227V, 60Hz	1050	0.6	6	4	CW/CCW	3 MFD 370VAC	1/2 x 8-1/2*	OPEN	Sleeve	B
AN42075-16-6B	PSC	1/10HP	115V, 60Hz	1050	1.8	6	4	CW/CCW	5 MFD 370VAC	3/8 x 10-1/2*	OPEN	Sleeve	B
AN42075-16-6B	PSC	1/10HP	115V, 60Hz	1075	1.8	6	4	CW/CCW	5 MFD 370VAC	1/2 x 10*	OPEN	Sleeve	B
AN42075-26-6B	PSC	1/10HP	227V, 60Hz	1075	0.8	6	4	CW/CCW	5 MFD 370VAC	1/2 x 8-1/2*	OPEN	Sleeve	B
AN42120-16-6B	PSC	1/6HP	115V, 60Hz	1625	2.0	4	4	CW/CCW	7.5 MFD 370VAC	1/2 x 10*	OPEN	Sleeve	B

\* motors with dual shaft

### Dimensional Drawing



unit: mm