

Hypoid-Helical Gearmotor TH3

Features:

- Gearing: Hypoid-helical gearing offers much more efficiency and drivability compared with traditional worm gearing
- Bearings: Ball (Output shaft ball/sleeve combination). Premium ball bearings provide quiet efficient torque transfer and overhung load capacity.
- Lubricant: High-grade synthetic grease. Synthetic grease provides extended lubrication life over a wide temperature range. The viscosity resists leakage and does not require routine maintenance.
- Voltage: Available in both 1-PH and 3-PH (including 575V). Support a broad range of industries and application needs with different power input conditions.

Basic Product Specification:

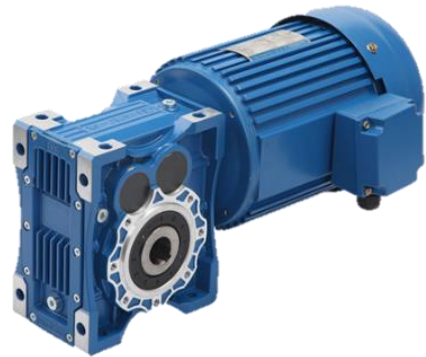
Motor output power: 100 W, 200 W, 400 W

Ratios: 3 : 1 ~ 300 : 1

Input voltage: 1-PH: 115V, 60Hz; 230V, 60Hz

3-PH: 230V, 60Hz; 230V/230V/460V,
50Hz/60Hz/60Hz; 575V, 60Hz

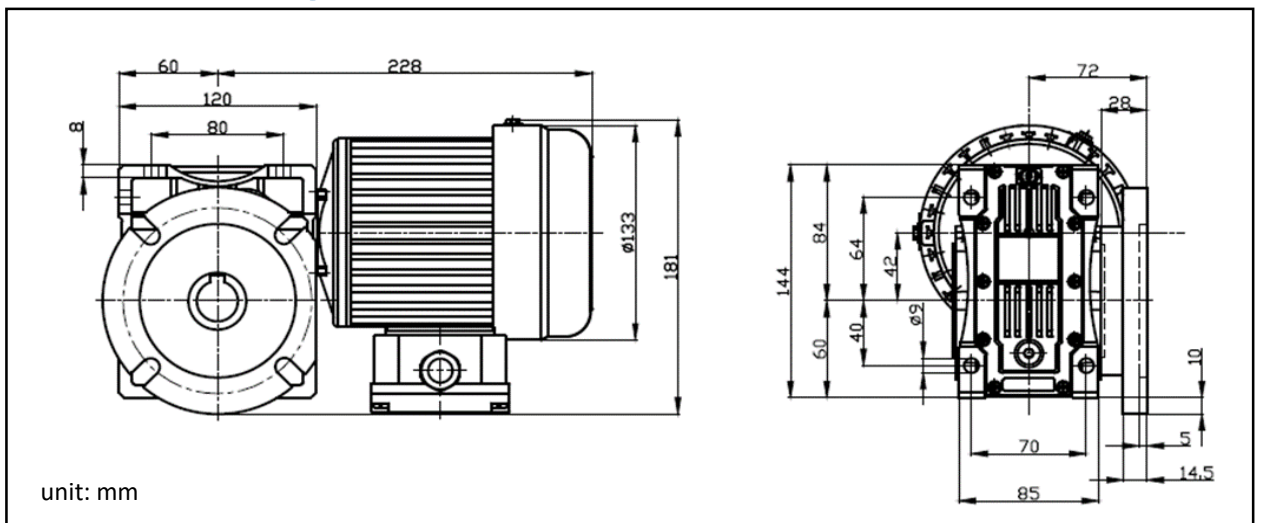
Agency certifications: UL /CSA



Specifications:

Series	Frame	Gear Ratio	Phase	Voltage (VAC)	Frequency (Hz)	Output Power (W)
TH3	040, 050, 063, 075	7.5:1 ~ 300:1	1, 3	115V, 230 / 230V / 460V	60Hz, 50 / 60 / 60 Hz	1/8 HP, 1/4 HP, 1/2 HP

Mechanical Drawing:



Telco Intercontinental Corp.

9812 Whithorn Drive
Houston, TX 77095
www.telcointercon.com

sales@telcointercon.com
(281) 855-2218

TELCO
MOTION

A division of **TELCO**